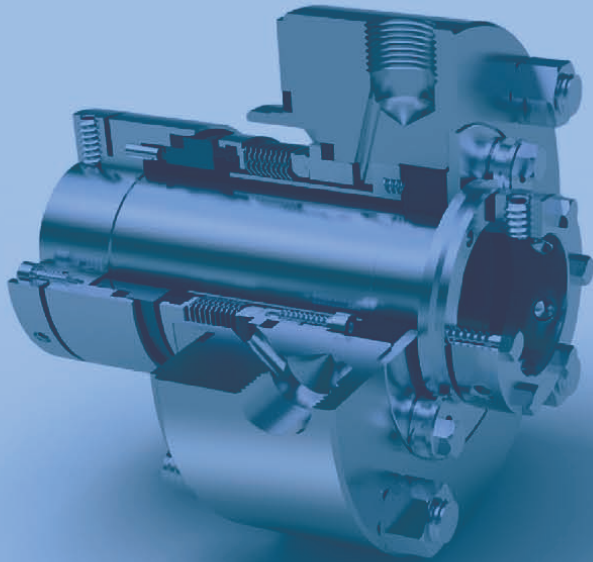


# Stationary Metal Bellows Seal



## Type H123

### Pump Seal

- For high temperature

### Applications

- Used in the field of petrochemical, paint and printing ink, pulp and paper, etc.
- For use in the fluid of high-temperature oil and hydrocarbons, aqueous solution, corrosive chemical products and acids, etc.

### Design Features

- Designed accord with API 682.
- Balanced design.
- With a three-sweep radius, this plate design allows the bellows device to be flexed repeatedly without the metal being stressed beyond its endurance limit.
- These seals are manufactured with a 45° tilt edge at the bellows' inside diameter to disperse stresses and maximize operating life.
- Stationary bellows design for large diameter and high speed, and this reduces seal movement, resulting in increased seal life.
- Cartridge structure, easy to install and remove.

### Performance Capabilities

- Temperature: -75~125 °C (with flexible graphite)
- Pressure: vacuum~2MPa  
Vacuum ~6.9MPa (with double-ply bellows)
- Speed: ~150 m/s
- Shaft Dia.: ~166 mm

### Pressure Rating

