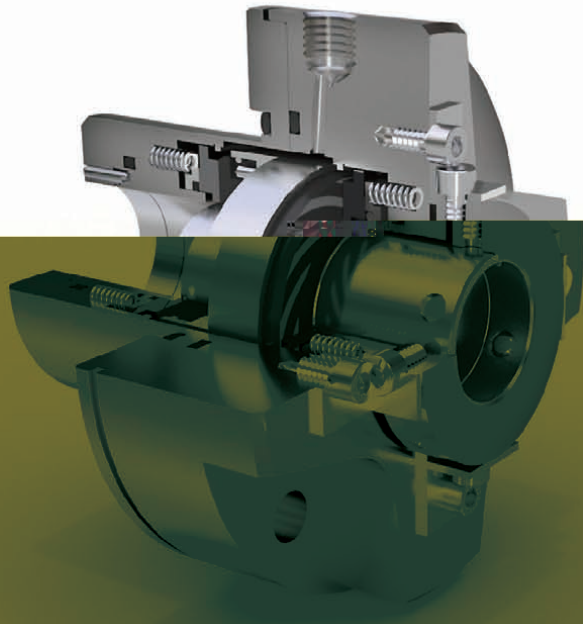


Double Dry Gas Seal



Type H282A

Pump Dry Gas Seal

- For special medium

Applications

- For use in the operating condition that is sensitive to temperature changes, e.g., polymerization caused by temperature changes, medium phase transformation caused by temperature changes.
- For use in the medium which is sensitive to atmosphere.
- Be strict with medium purity, no pollution by other medium.

Design Features

- Zero-fugitive emissions, environmentally friendly.
- Dual balance design with reverse pressure capability.
- Simplified gas barrier support system.
- Operate no-contacting, low power consumption, longer life.
- Cartridge structure, easy to install and remove.

Performance Capabilities

- Temperature: $-40\sim 260\text{ }^{\circ}\text{C}$ (Depends on the material of O Ring)
- Pressure: $\leq 2.1\text{MPa}$
- Speed: $1000\sim 3600\text{rpm}$
- Shaft Dia.: $\leq 110\text{mm}$

Pressure Rating

